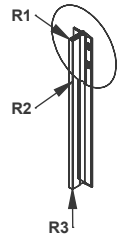
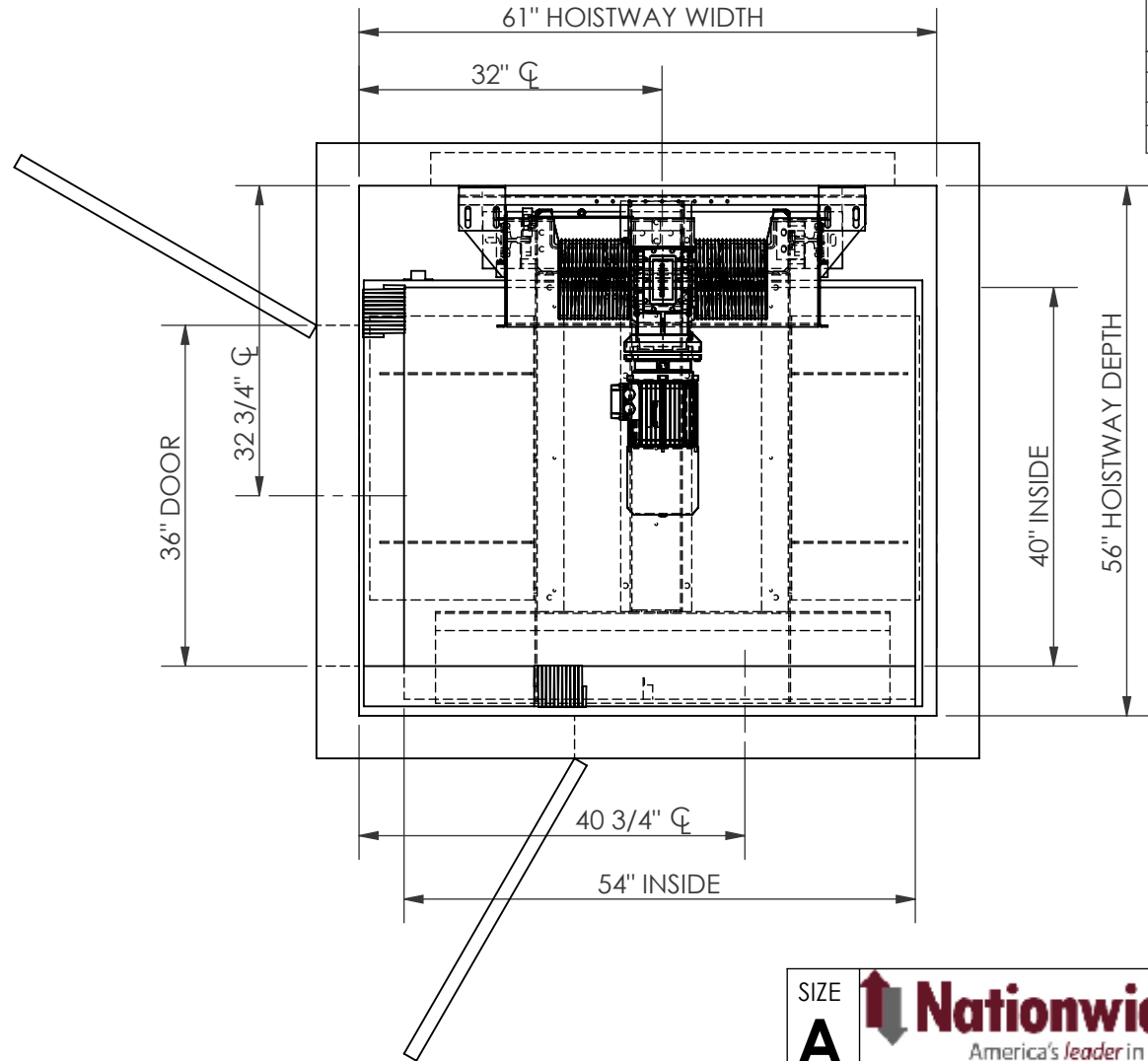
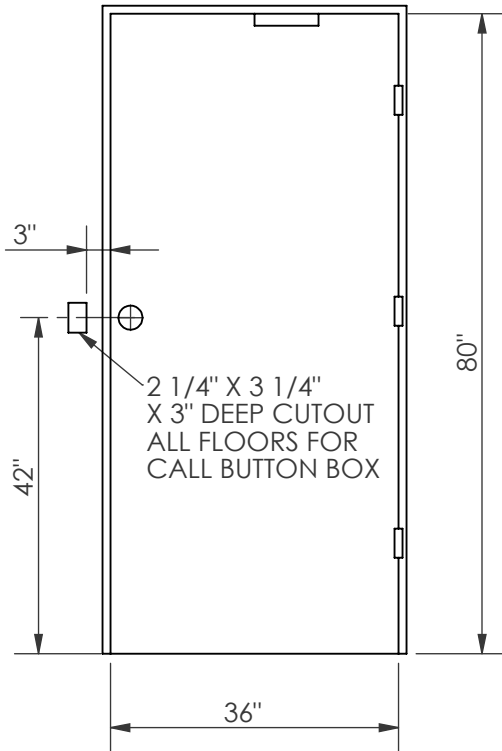
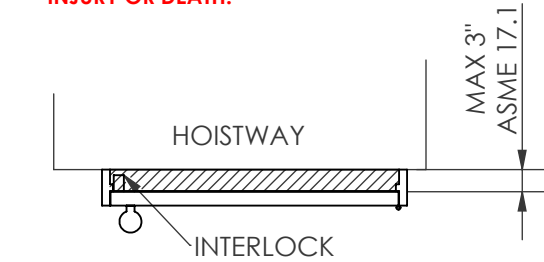


**!WARNING!**

SPACE BETWEEN DOOR AND HOISTWAY  
MUST NOT EXCEED 3"

INTERLOCKS CONFORMING TO ASME A17.1  
MUST BE INSTALLED AND ADJUSTED PER  
THE MANUFACTURER'S INSTRUCTIONS.

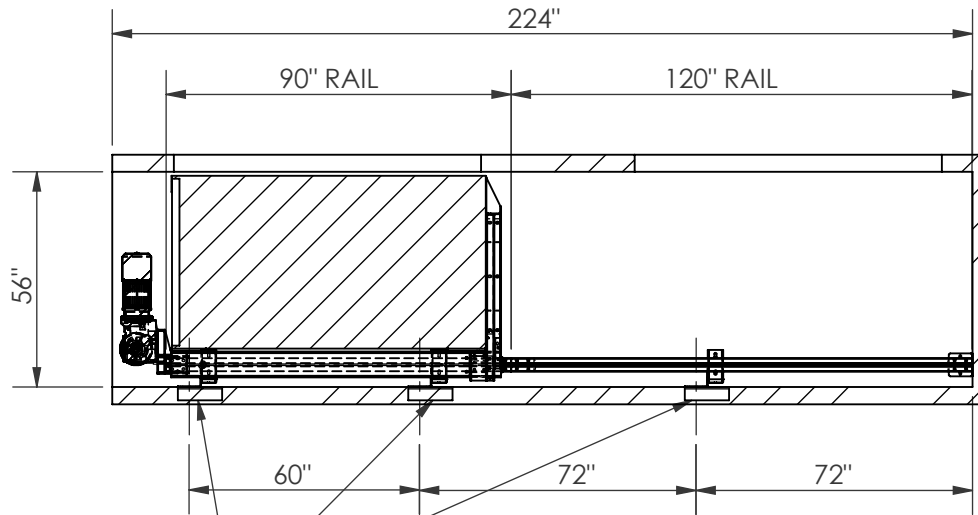
**!FAILURE TO COMPLY  
MAY RESULT IN SERIOUS  
INJURY OR DEATH!**



RAIL WEIGHT: 8 lbs/ft	
RAIL FORCES	
*R1(Fx)	1075 lbs
*R2(Fy)	358 lbs
R3(Fz)	2500 lbs

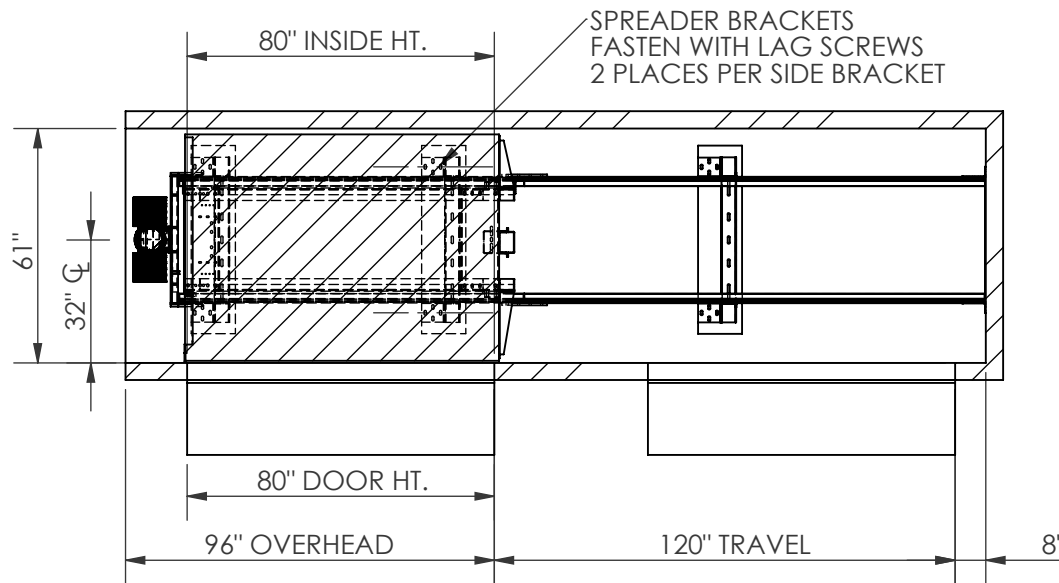
SIZE **A**   
America's *leader* in home elevators.

PART NO.  
**40 X 54, TYPE 4**  
SHEET 1 OF 3  
DESCRIPTION:  
SWING DOORS, OVERHEAD DRUM



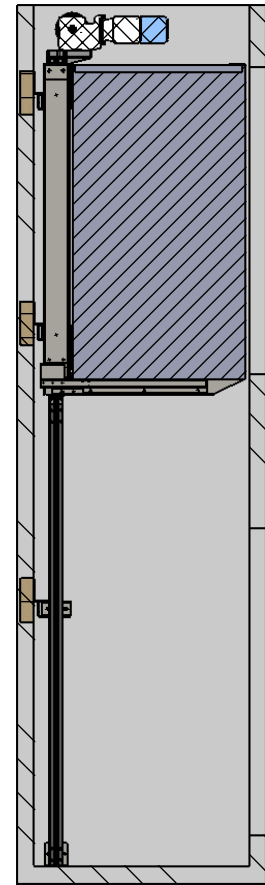
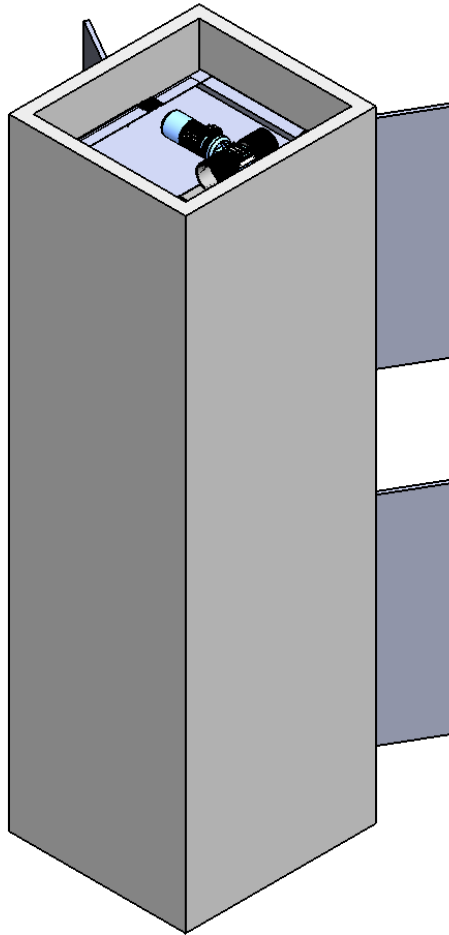
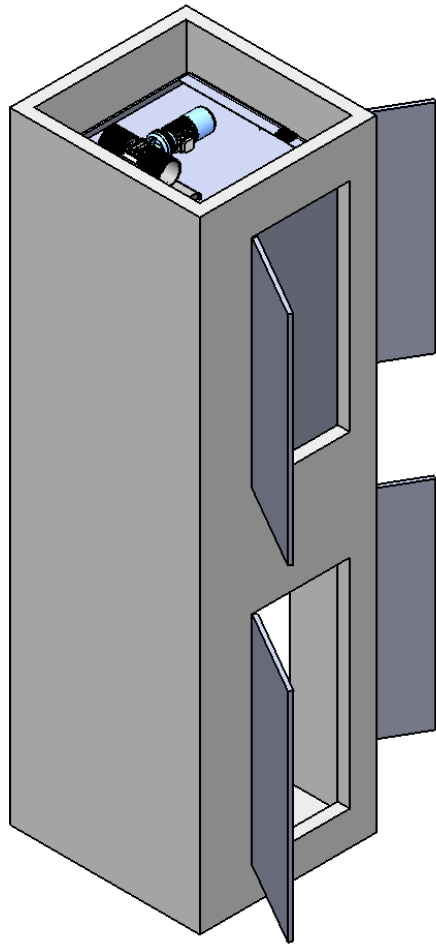
PROVIDE WALL CONSTRUCTION SUITABLE FOR ATTACHMENT OF RAIL BRACKETS AT SHOWN ELEVATION. MUST BE CAPABLE OF 300LB PULLOUT LOADING WITH MAX DEFLECTION OF 1/8".


BRACKET LOCATIONS MAY VARY ACORDING TO TRAVEL



SIZE **A**  **Nationwide Lifts**  
America's *leader* in home elevators.

PART NO.  
**40 X 54, TYPE 4**  
SHEET 2 OF 3  
DESCRIPTION:  
SWING DOORS, OVERHEAD DRUM



SIZE **A**   
PART NO.  
**40 X 54, TYPE 4**  
SHEET 3 OF 3  
DESCRIPTION:  
SWING DOORS, OVERHEAD DRUM

5



4

3

2

1